



Stonelum[®]

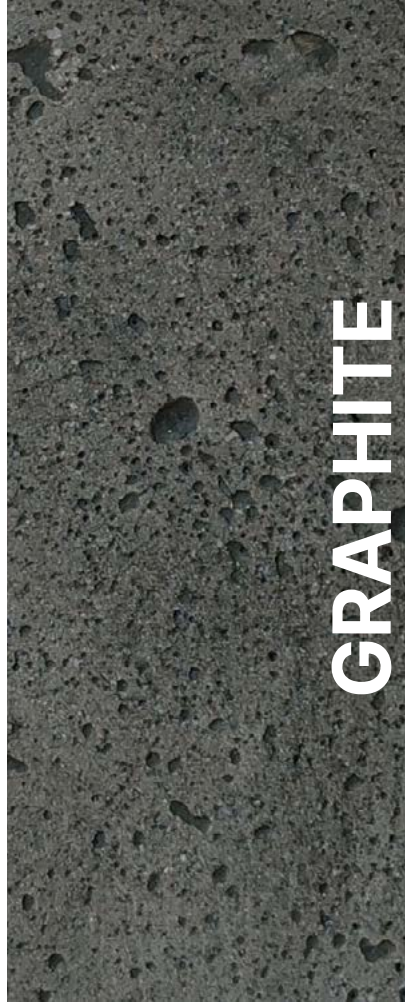
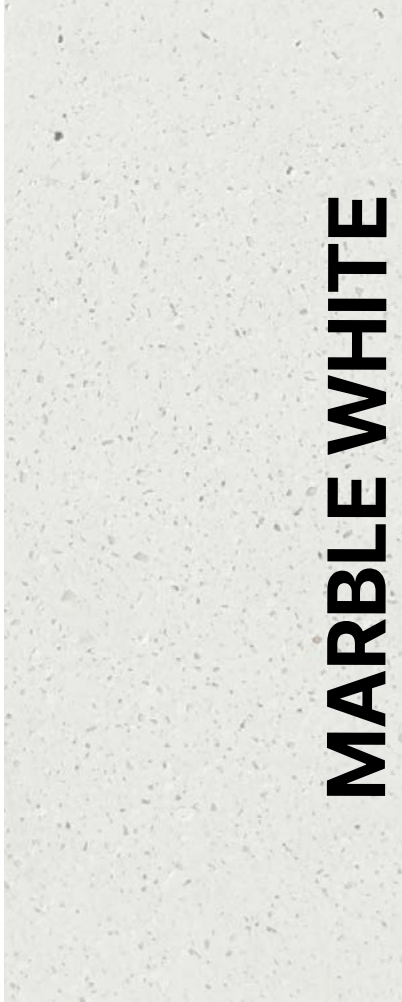
FirePits Catalogue



Our firepits **include:**

- High Quality GFRC Fire Pit
- Stainless Steel Burner
- 1/2" Straight Quarter-Turn Shutt-Off Security Valve
- Push Button Ignition Kit.
- Internal Gas Connections
- Red Medium Lava Rock, or Black Small Lava Rock.
- *1/2" Air Mixer (For LP only)

The retail price: corresponds to the dimensions and designs presented in this catalogue.



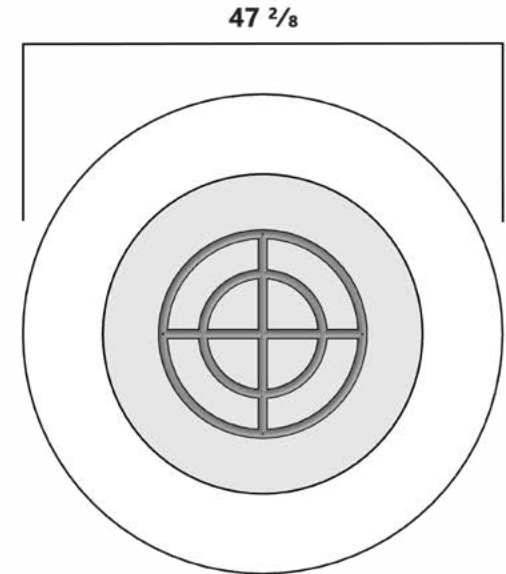
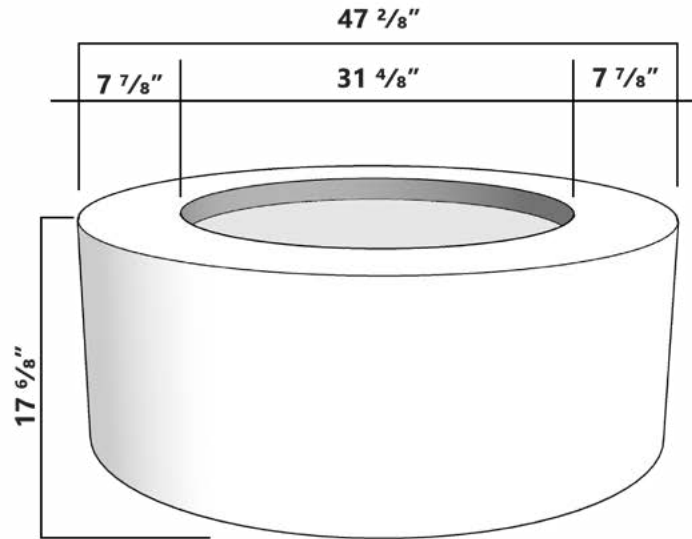
Modern Rustic Finish

"Our products are meticulously crafted, ensuring each item is a unique creation with subtle variations"





COLISEO 1



Click [here](#) to see what's included

AVAILABLE COLOURS:

Features	
Diameter	47 2/8"
Height	17 6/8"
Mouth	31 4/8"
Weight	450 lbs



"Our products are meticulously crafted, ensuring each item is a unique creation with subtle variations"

Click [here](#) to see the accessories

AVAILABLE BURNERS:



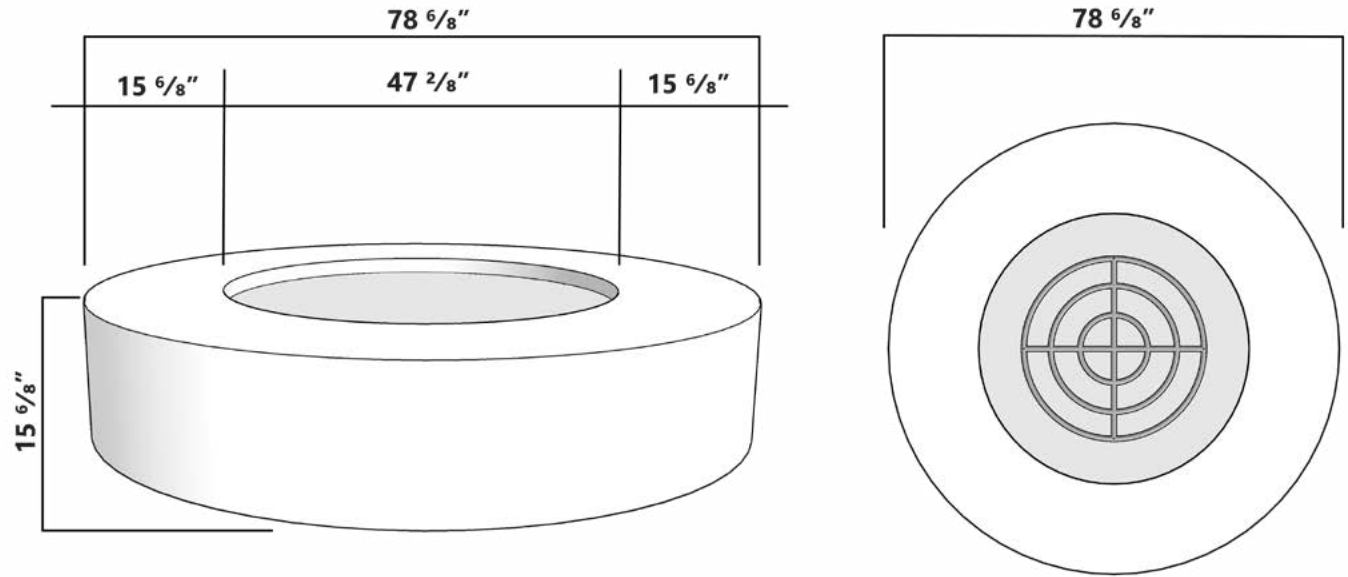
LP Gas



Natural Gas



COLISEO 2



Click [here](#) to see what's included

AVAILABLE COLOURS:

Features	
Diameter	78 6/8"
Height	15 6/8"
Mouth	47 2/8"
Weight	890 lbs



"Our products are meticulously crafted, ensuring each item is a unique creation with subtle variations"

Click [here](#) to see the accessories

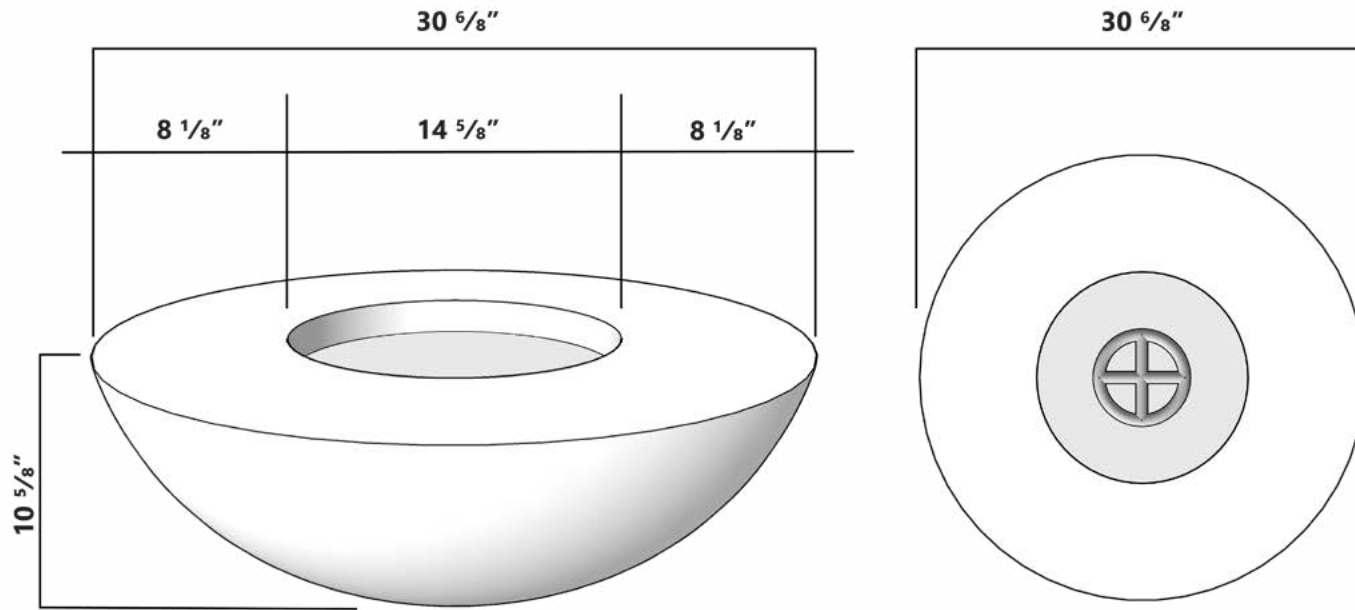
AVAILABLE BURNERS:



LP Gas



Natural Gas



VENECIA 1



AVAILABLE COLOURS:

Click [here](#) to see what's included



"Our products are meticulously crafted, ensuring each item is a unique creation with subtle variations"

AVAILABLE BURNERS:



LP Gas



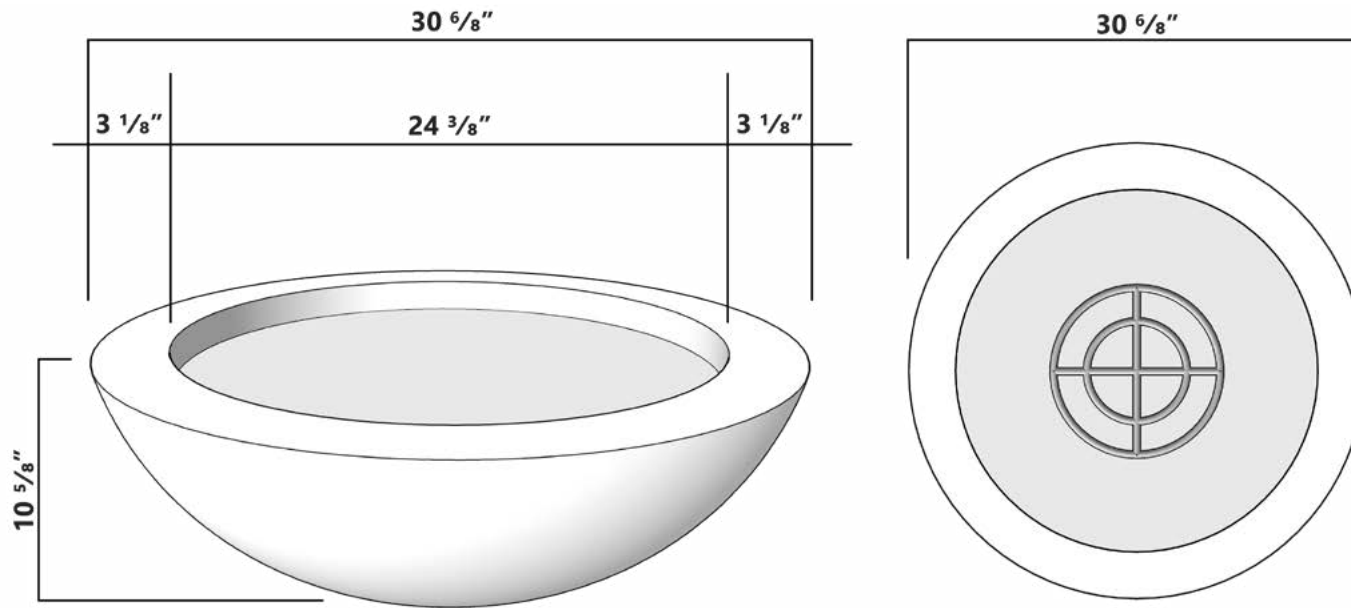
Natural Gas

Features	
Diameter	30 6/8"
Height	10 5/8"
Mouth	14 5/8"
Weight	110 lbs

Click [here](#) to see the accessories



VENECIA 2



AVAILABLE COLOURS:

Click [here](#) to see what's included



"Our products are meticulously crafted, ensuring each item is a unique creation with subtle variations"

AVAILABLE BURNERS:



LP Gas



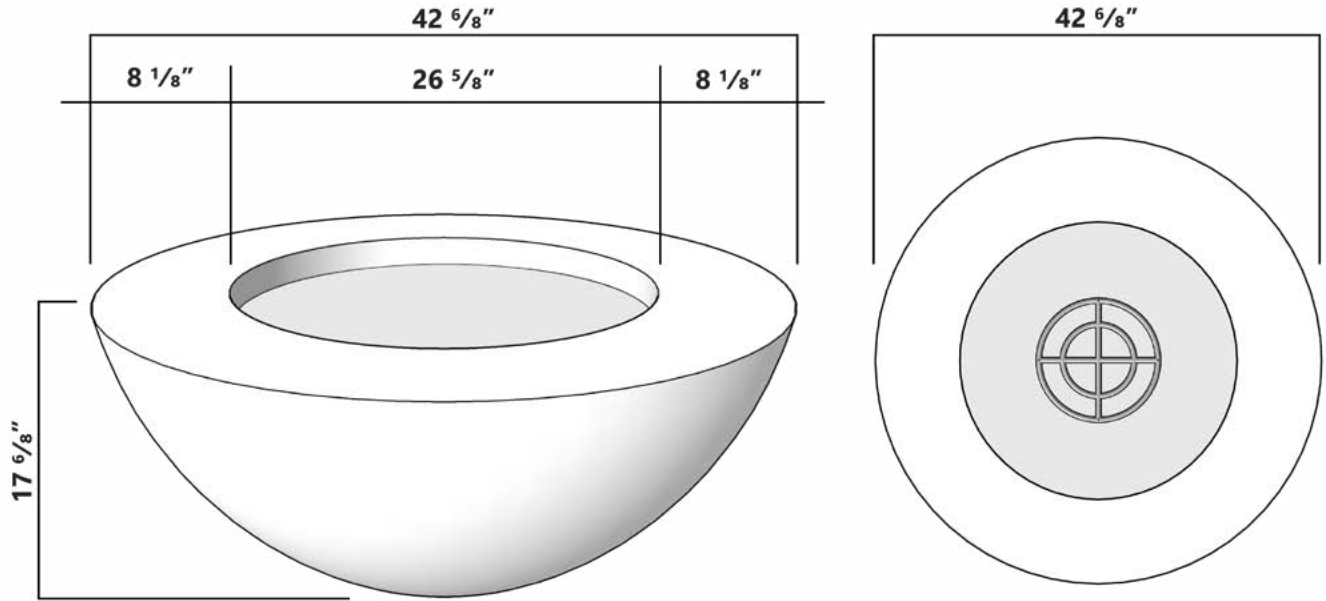
Natural Gas



Features	
Diameter	30 5/8"
Height	10 5/8"
Mouth	24 3/8"
Weight	130 lbs

Click [here](#) to see the accessories

VENECIA 3



Click [here](#) to see what's included

AVAILABLE COLOURS:

Features	
Diameter	42 6/8"
Height	17 6/8"
Mouth	26 5/8"
Weight	300 lbs



"Our products are meticulously crafted, ensuring each item is a unique creation with subtle variations"

Click [here](#) to see the accessories

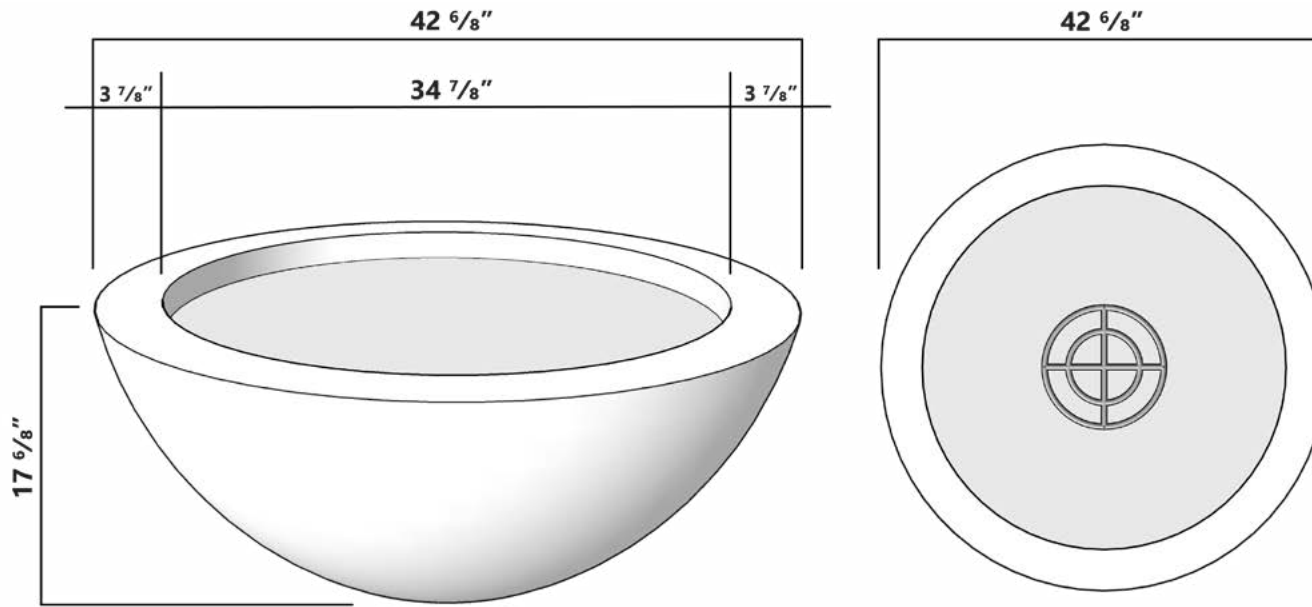
AVAILABLE BURNERS:



LP Gas

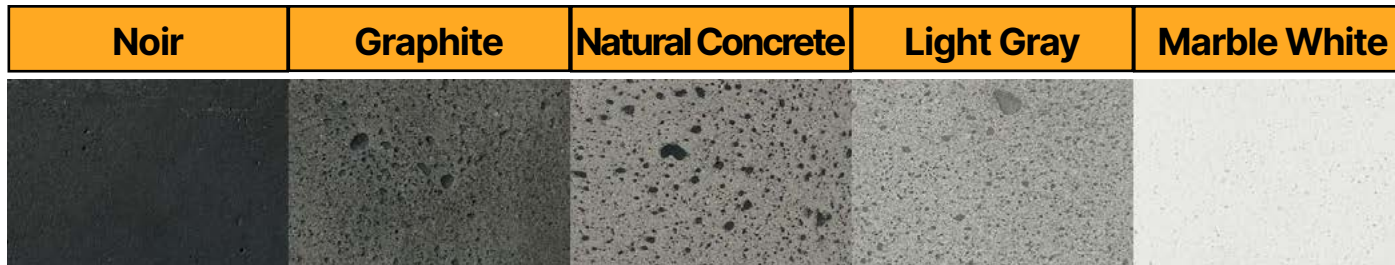


Natural Gas



Click [here](#) to see what's included

AVAILABLE COLOURS:



"Our products are meticulously crafted, ensuring each item is a unique creation with subtle variations"

AVAILABLE BURNERS:



LP Gas



Natural Gas

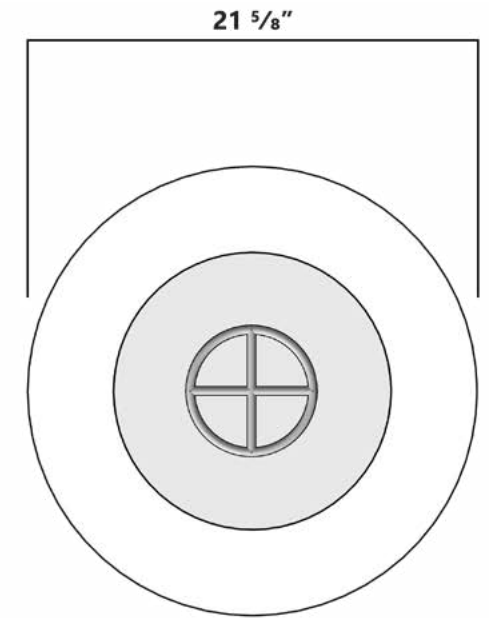
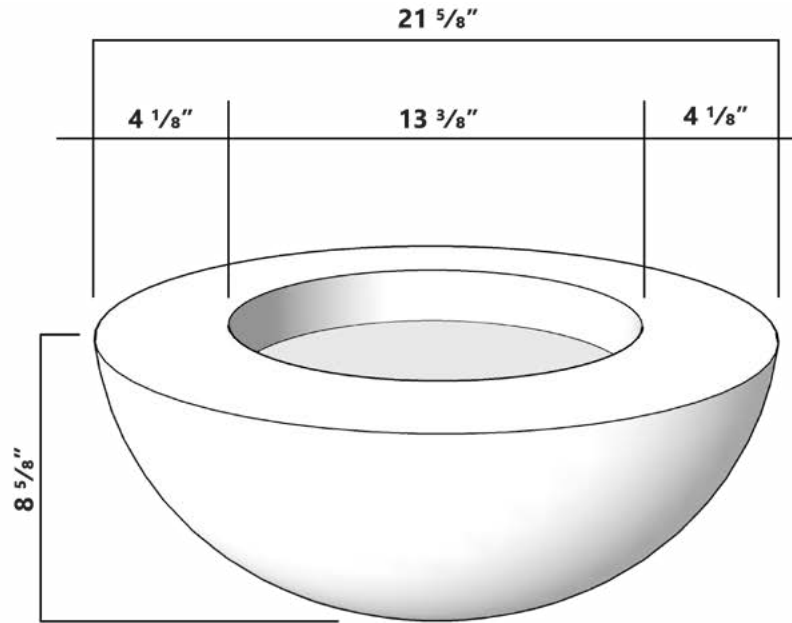
VENECIA 4



Features	
Diameter	42 6/8"
Height	17 6/8"
Mouth	34 7/8"
Weight	320 lbs

Click [here](#) to see the accessories

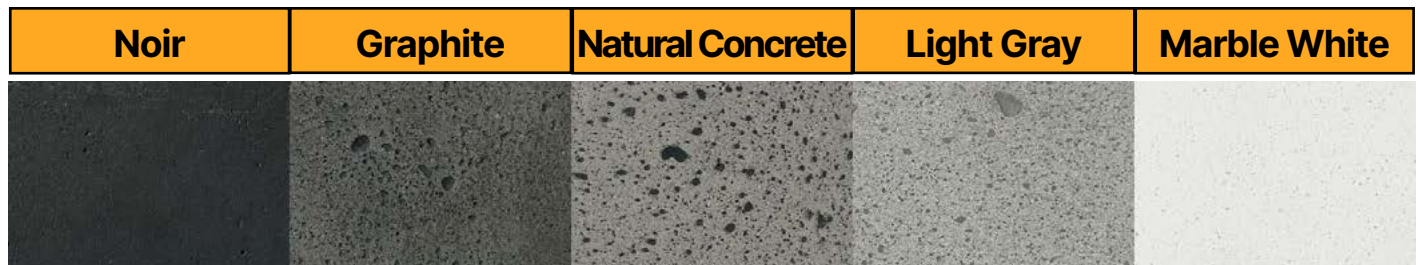
VENECIA 5



AVAILABLE COLOURS:

Click [here](#) to see what's included

Features	
Diameter	21 5/8"
Height	8 5/8"
Mouth	13 3/8"
Weight	80 lbs



"Our products are meticulously crafted, ensuring each item is a unique creation with subtle variations"

Click [here](#) to see the accessories

AVAILABLE BURNERS:



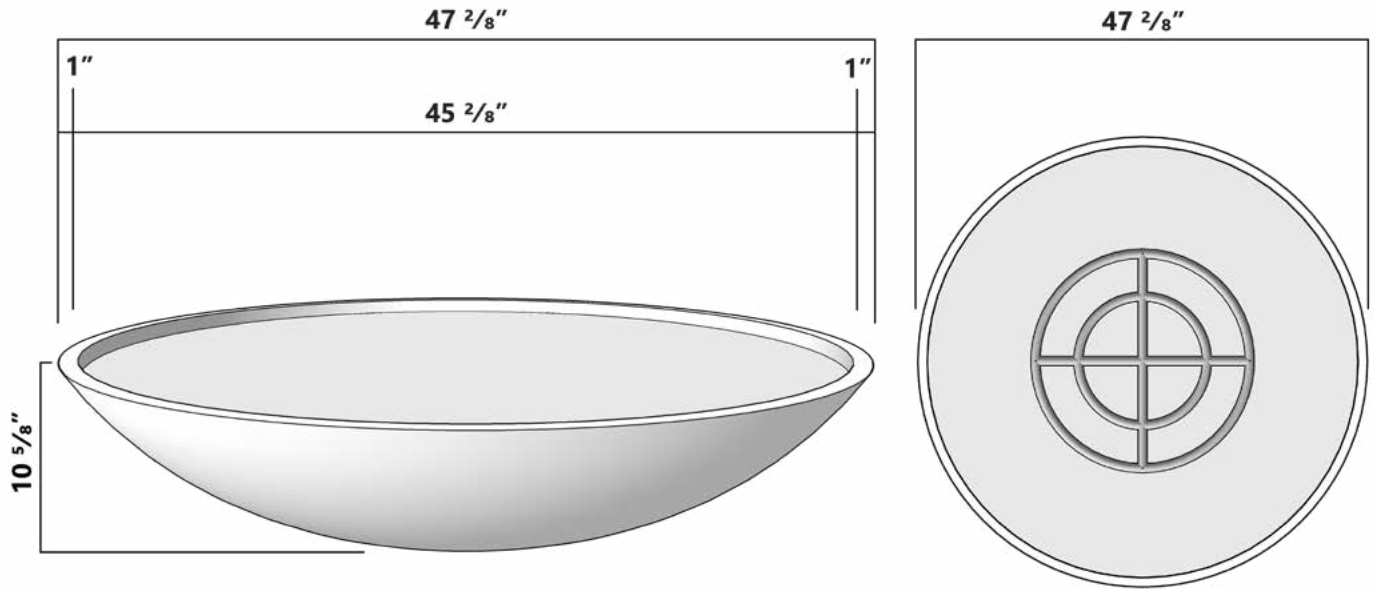
LP Gas



Natural Gas



VENECIA 6



Click [here](#) to see what's included

AVAILABLE COLOURS:

Features	
Diameter	47 2/8"
Height	10 5/8"
Mouth	45 2/8"
Weight	140 lbs



"Our products are meticulously crafted, ensuring each item is a unique creation with subtle variations"

Click [here](#) to see the accessories

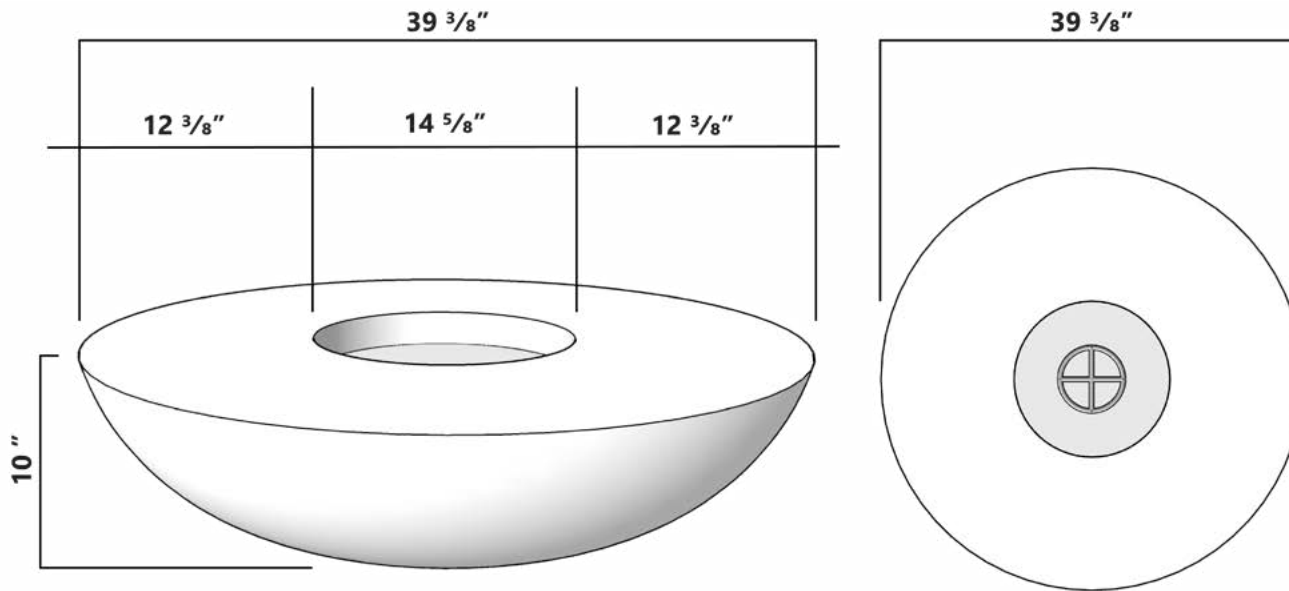
AVAILABLE BURNERS:



LP Gas



Natural Gas



Click [here](#) to see what's included

AVAILABLE COLOURS:



"Our products are meticulously crafted, ensuring each item is a unique creation with subtle variations"

AVAILABLE BURNERS:



LP Gas



Natural Gas

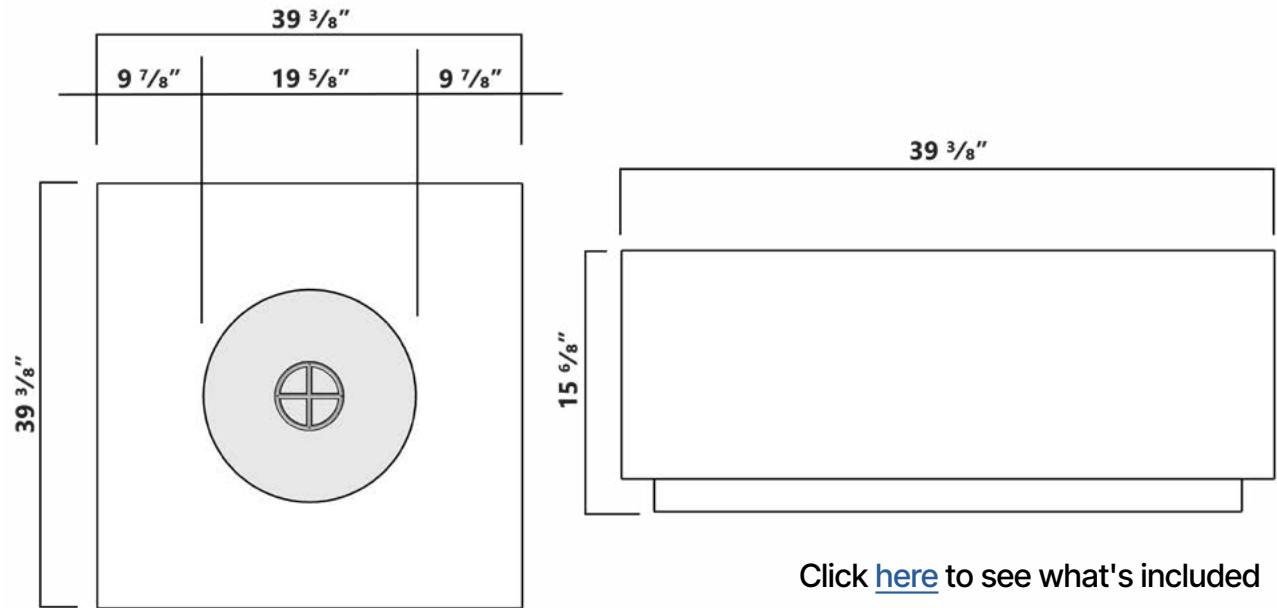
VENECIA 7



Features	
Diameter	39 3/8"
Height	10"
Mouth	14 5/8"
Weight	140 lbs

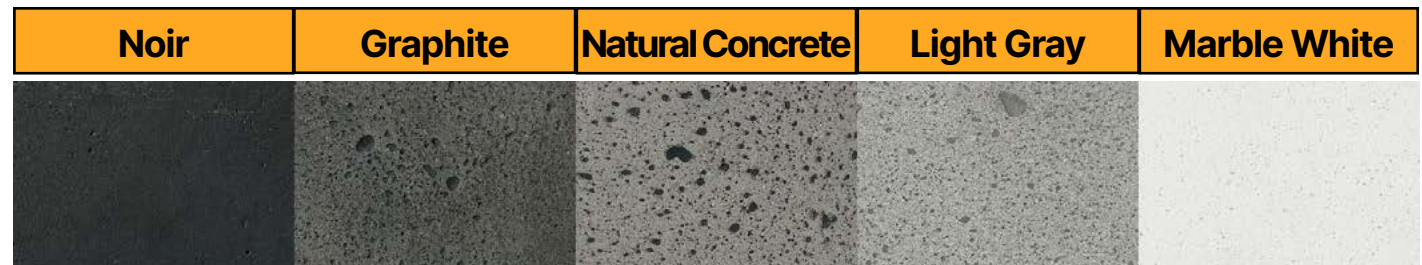
Click [here](#) to see the accessories

PRAGA 1



AVAILABLE COLOURS:

Features	
Width	39 ³ / ₈ "
Length	39 ³ / ₈ "
Height	15 ⁵ / ₈ "
Free space	9 ⁷ / ₈ "



"Our products are meticulously crafted, ensuring each item is a unique creation with subtle variations"

Weight 290 lbs

Click [here](#) to see the accessories

AVAILABLE BURNERS:



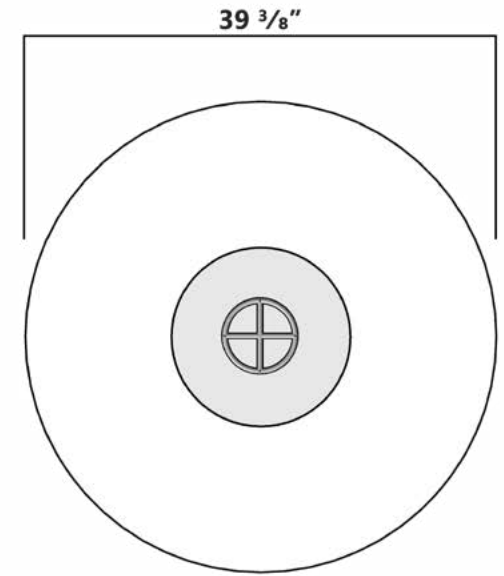
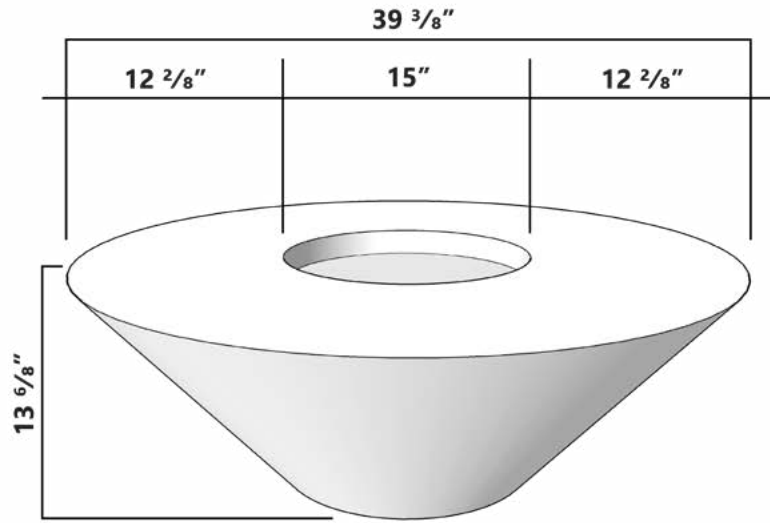
LP Gas



Natural Gas



CAIRO 1



AVAILABLE COLOURS:

Click [here](#) to see what's included

Features	
Diameter	39 3/8"
Height	13 6/8"
Mouth	15"
Weight	180 lbs



"Our products are meticulously crafted, ensuring each item is a unique creation with subtle variations"

Click [here](#) to see the accessories

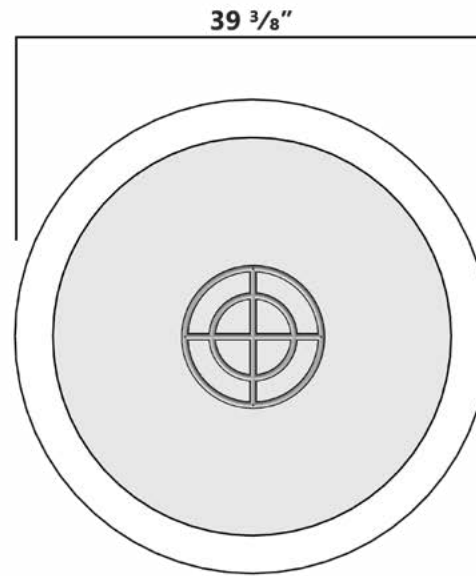
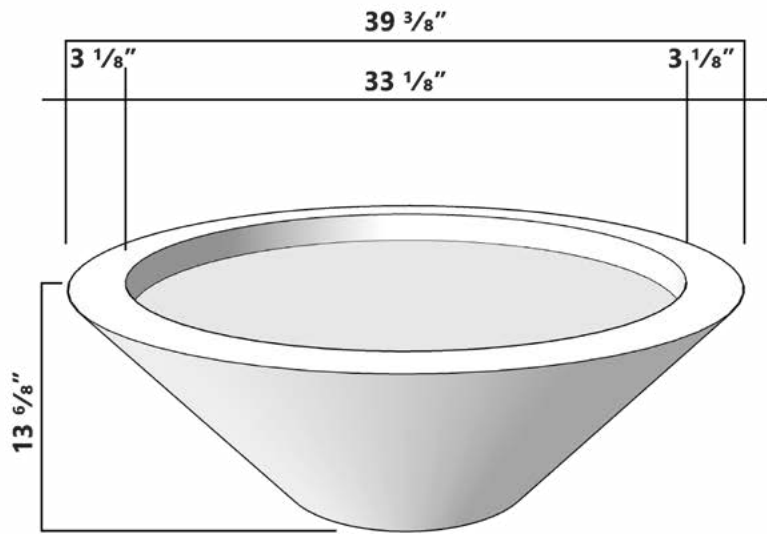
AVAILABLE BURNERS:



LP Gas



Natural Gas



CAIRO 2



AVAILABLE COLOURS:

Click [here](#) to see what's included

Noir	Graphite	Natural Concrete	Light Gray	Marble White

"Our products are meticulously crafted, ensuring each item is a unique creation with subtle variations"

AVAILABLE BURNERS:



LP Gas



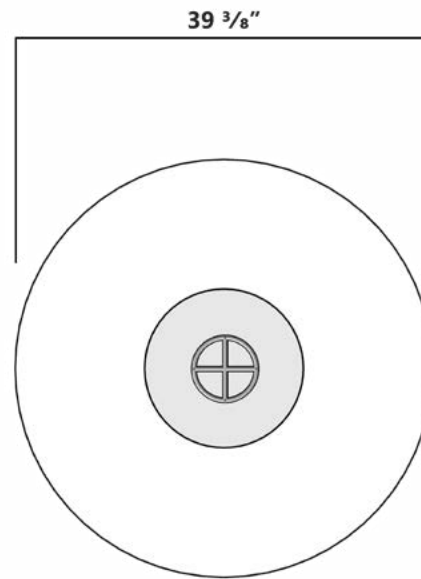
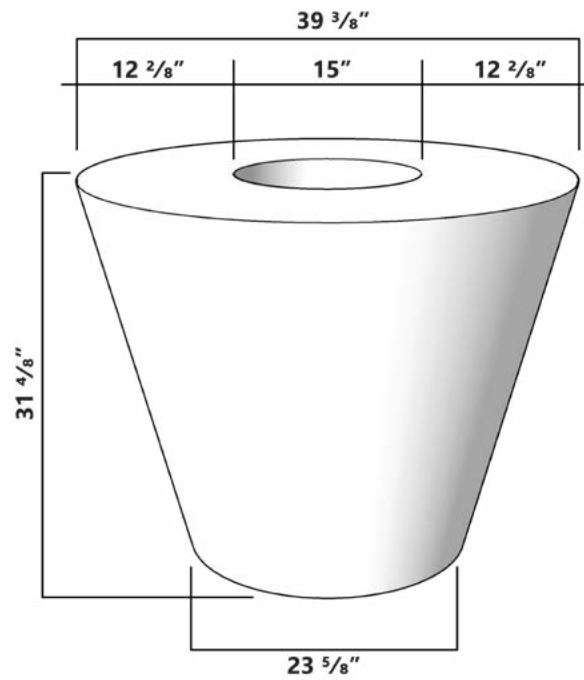
Natural Gas

Features

Diameter	39 3/8"
Height	13 6/8"
Mouth	33 1/8"
Weight	190 lbs

Click [here](#) to see the accessories





Click [here](#) to see what's included

AVAILABLE COLOURS:



"Our products are meticulously crafted, ensuring each item is a unique creation with subtle variations"

AVAILABLE BURNERS:



LP Gas



Natural Gas

CAIRO 3

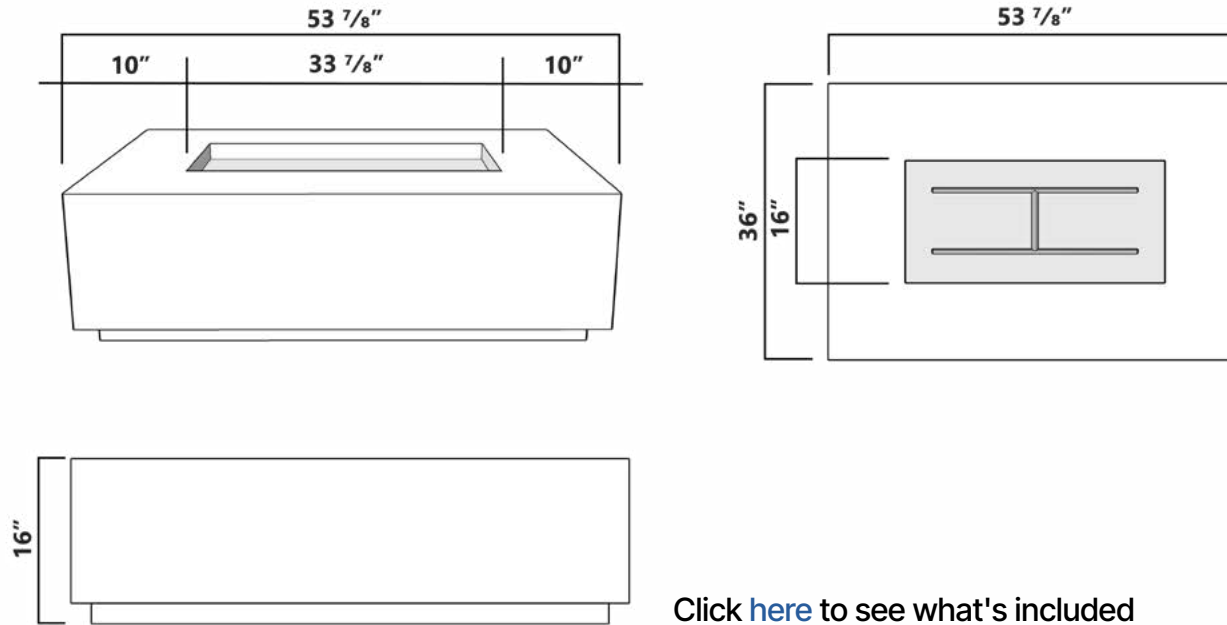


Features	
Diameter	39 3/8"
Height	31 4/8"
Mouth	15"
Weight	397 lbs

Click [here](#) to see the accessories

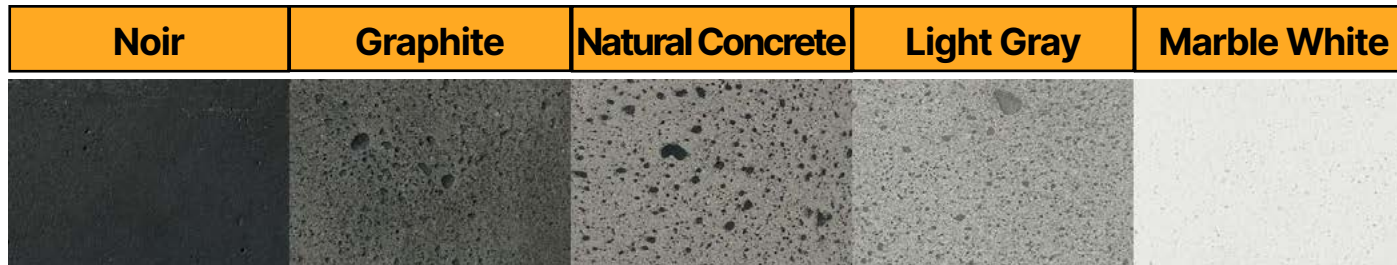


MANHATTAN 1



Click [here](#) to see what's included

AVAILABLE COLOURS:



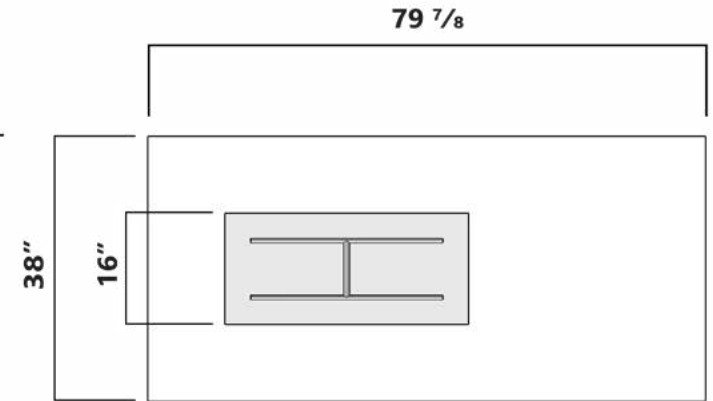
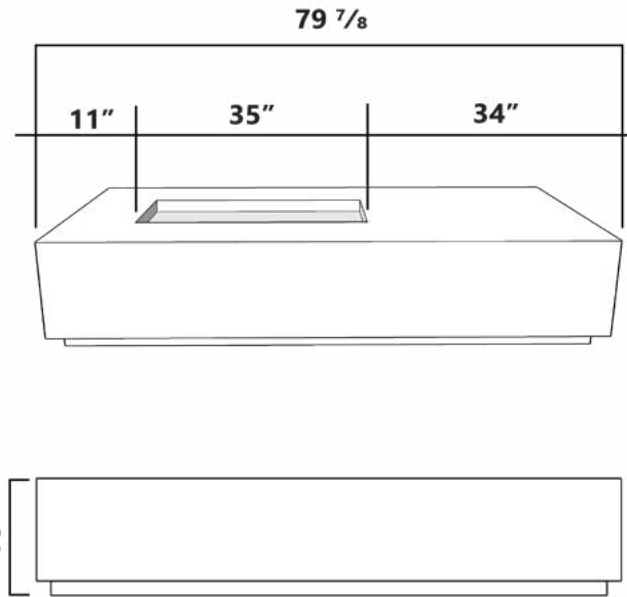
"Our products are meticulously crafted, ensuring each item is a unique creation with subtle variations"



Features	
Width	36"
Length	53 7/8"
Height	16"
Free space	10"
Weight	450 lbs

Click [here](#) to see the accessories

MANHATTAN 2



Click [here](#) to see what's included

AVAILABLE COLOURS:

Features	
Width	38"
Length	79 7/8"
Height	16"
Free space	11"/34"



"Our products are meticulously crafted, ensuring each item is a unique creation with subtle variations"

AVAILABLE BURNERS:



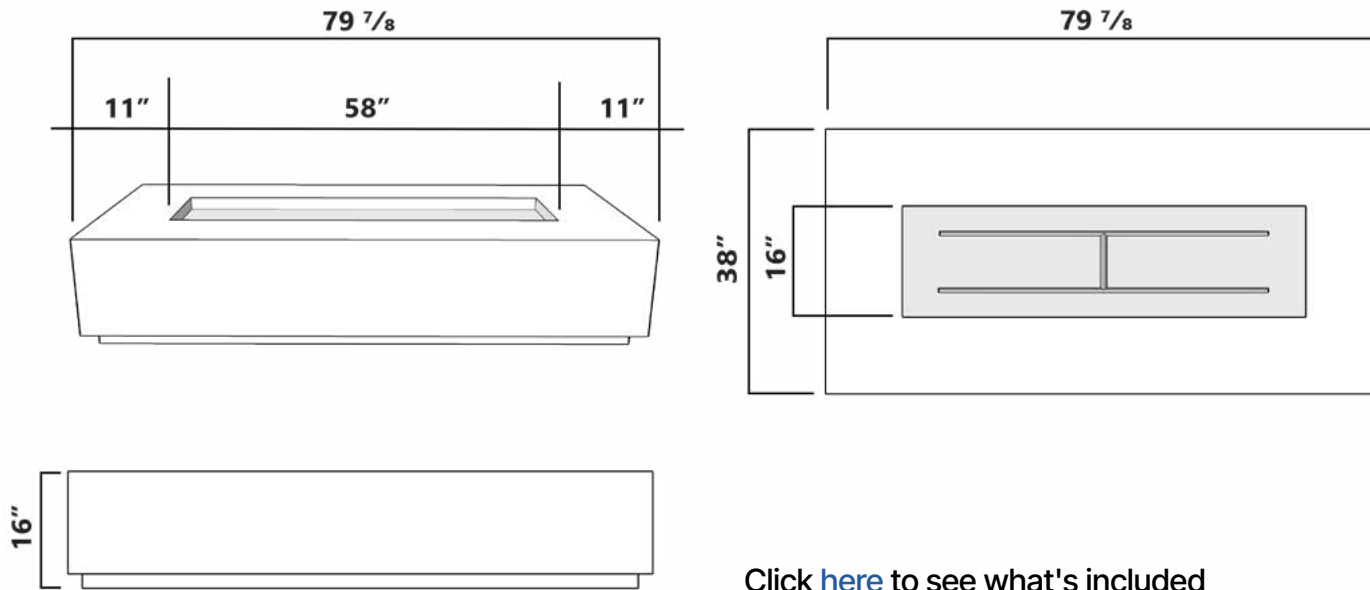
LP Gas



Natural Gas

Click [here](#) to see the accessories

MANHATTAN 3



Click [here](#) to see what's included



AVAILABLE COLOURS:



"Our products are meticulously crafted, ensuring each item is a unique creation with subtle variations"

AVAILABLE BURNERS:



LP Gas

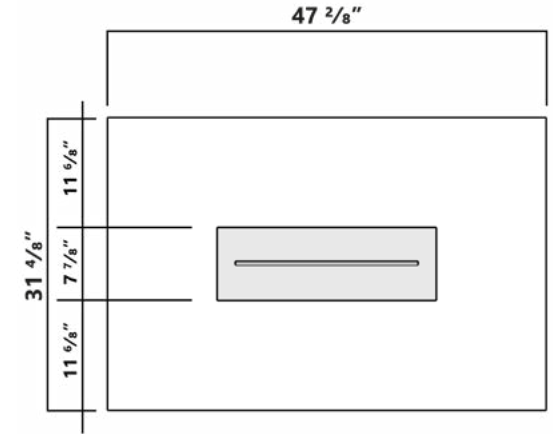
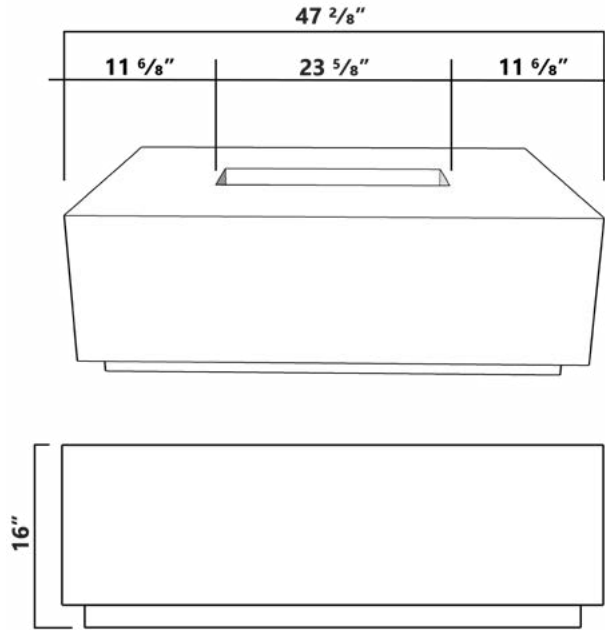


Natural Gas

Features	
Width	38"
Length	79 7/8"
Height	16"
Free space	11"
Weight	780 lbs

Click [here](#) to see the accessories

MANHATTAN 4



Click [here](#) to see what's included

AVAILABLE COLOURS:

Features	
Width	31 4/8"
Length	47 2/8"
Height	16"
Free space	11 6/8"



"Our products are meticulously crafted, ensuring each item is a unique creation with subtle variations"

AVAILABLE BURNERS:



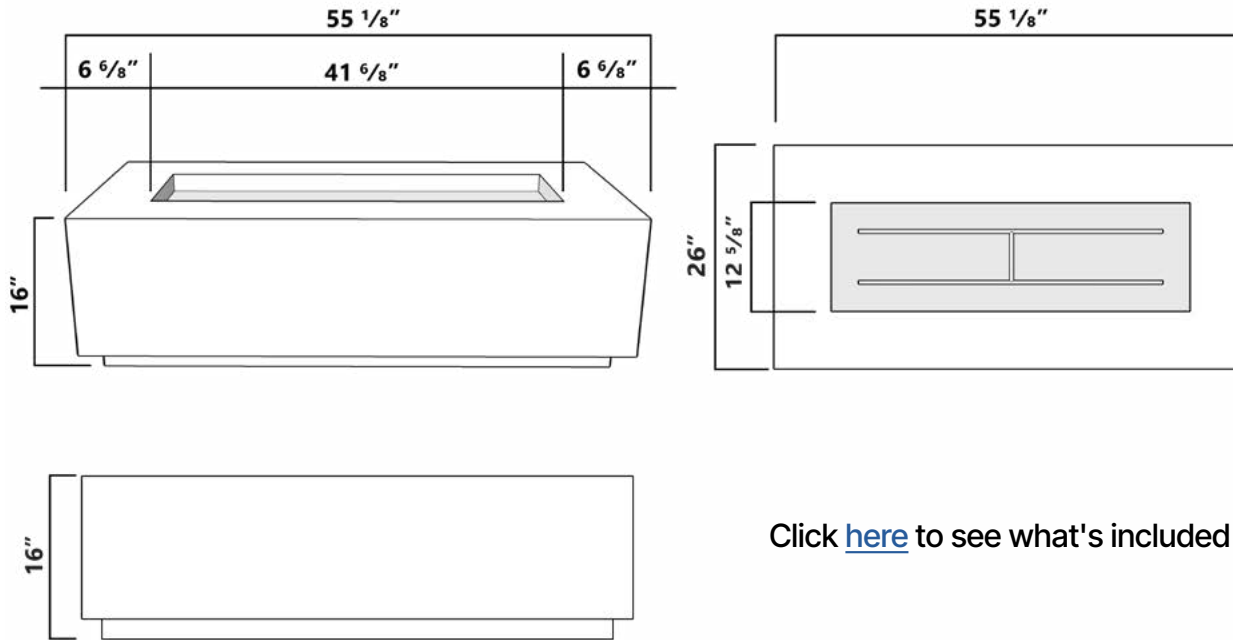
LP Gas



Natural Gas

Click [here](#) to see the accessories

MANHATTAN 5



Click [here](#) to see what's included



AVAILABLE COLOURS:



"Our products are meticulously crafted, ensuring each item is a unique creation with subtle variations"

AVAILABLE BURNERS:



LP Gas

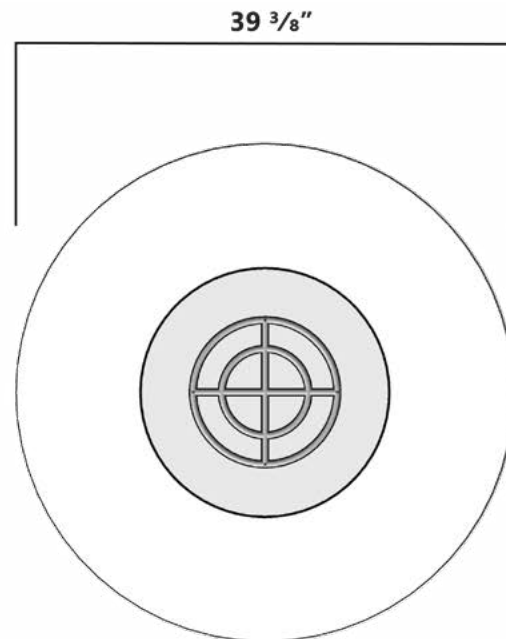
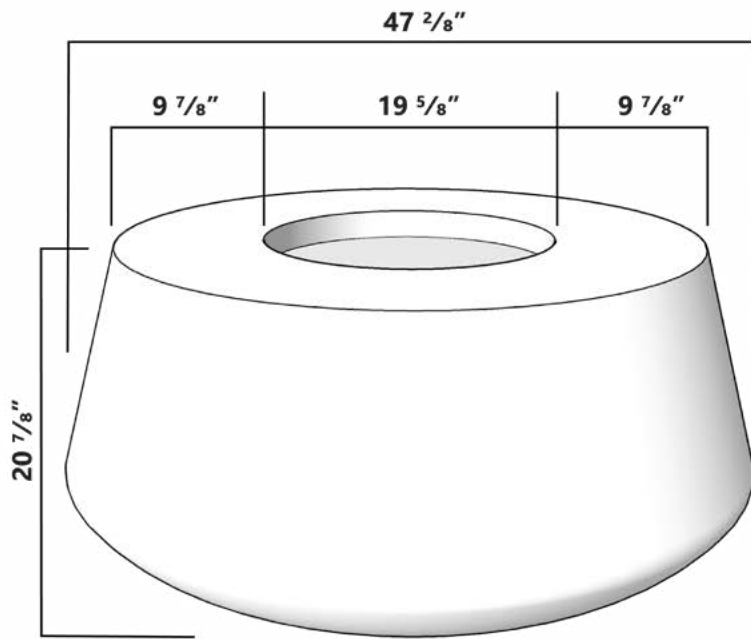


Natural Gas

Features	
Width	26"
Length	55 1/8"
Height	16"
Free space	6 6/8"
Weight	300 lbs

Click [here](#) to see the accessories





INDIANA 1



AVAILABLE COLOURS:

Click [here](#) to see what's included

Noir	Graphite	Natural Concrete	Light Gray	Marble White

"Our products are meticulously crafted, ensuring each item is a unique creation with subtle variations"

AVAILABLE BURNERS:



LP Gas

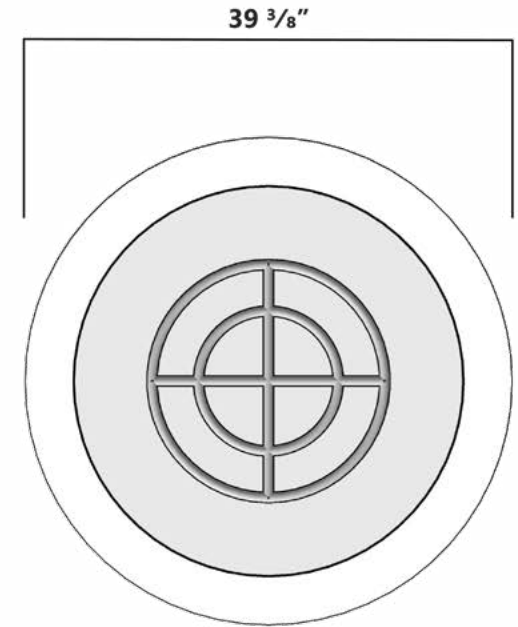
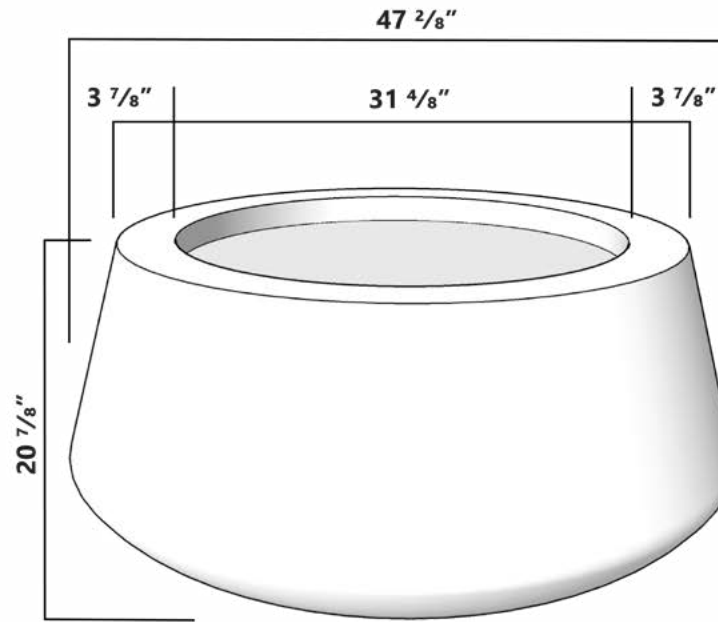


Natural Gas

Features	
Diameter	47 2/8"
Height	20 7/8"
Mouth	19 5/8"
Weight	300 lbs

Click [here](#) to see the accessories

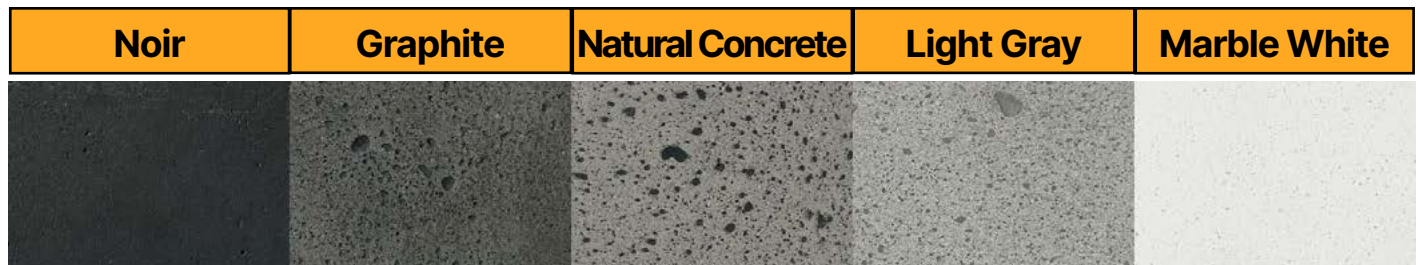
INDIANA 2



AVAILABLE COLOURS:

Click [here](#) to see what's included

Features	
Diameter	47 2/8"
Height	20 7/8"
Mouth	31 4/8"
Weight	300 lbs



"Our products are meticulously crafted, ensuring each item is a unique creation with subtle variations"

Click [here](#) to see the accessories

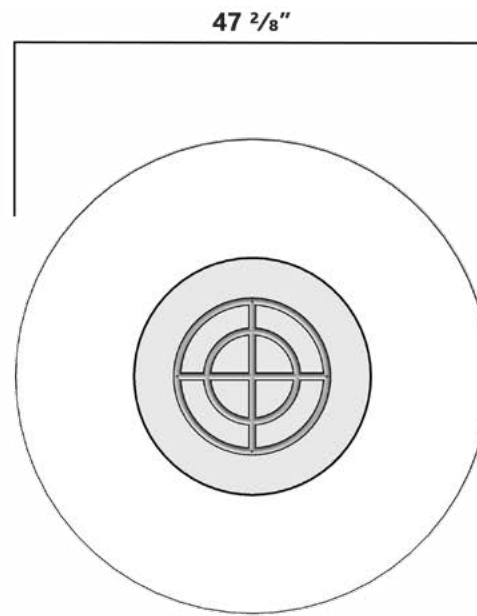
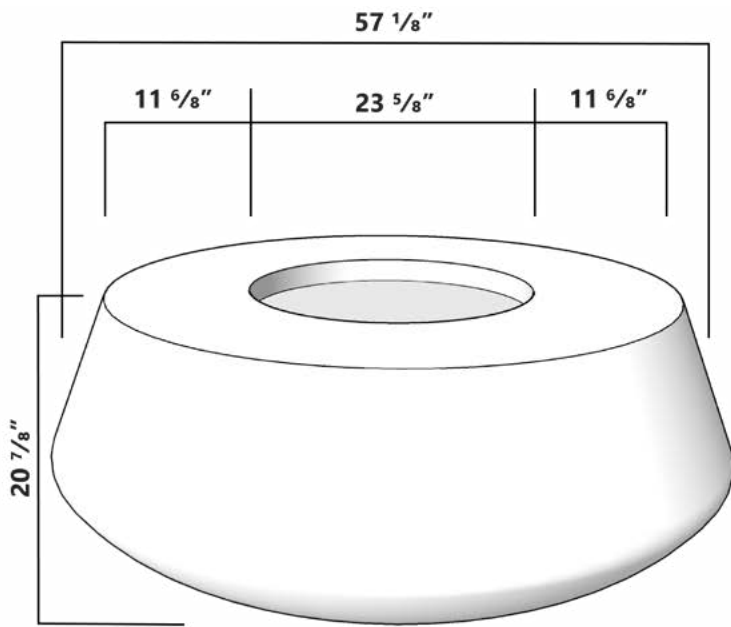
AVAILABLE BURNERS:



LP Gas

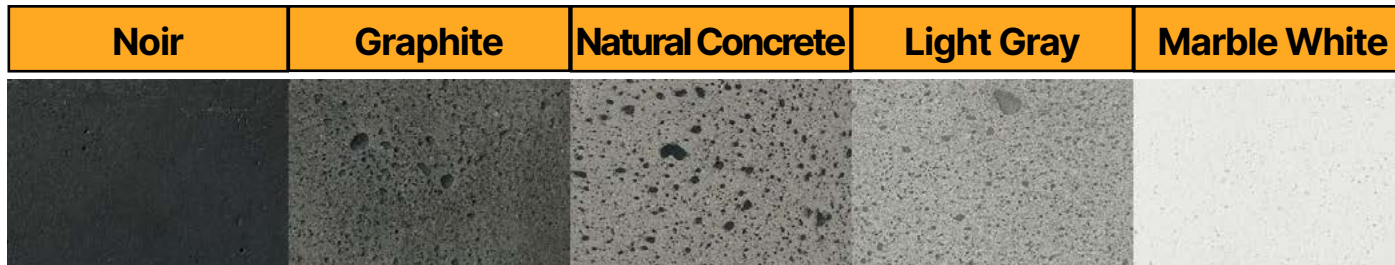


Natural Gas



Click [here](#) to see what's included

AVAILABLE COLOURS:



"Our products are meticulously crafted, ensuring each item is a unique creation with subtle variations"

AVAILABLE BURNERS:



LP Gas



Natural Gas

INDIANA 3



Features	
Diameter	57 1/8"
Height	20 7/8"
Mouth	23 5/8"
Weight	400 lbs

Click [here](#) to see the accessories





ACCESSORIES

Tank covers (Round and Square)



Features	
Height	21 ⁵ / ₈ "
Diameter / Width	17 ⁶ / ₈ "
Weight	77 lbs

ACCESSORIES

Waterproof cover

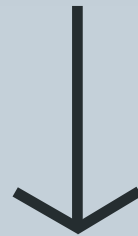
Model	Waterproof cover
COLISEO 1	\$329.00
COLISEO 2	\$1,329.00
VENECIA 1	\$219.00
VENECIA 2	\$329.00
VENECIA 3	\$329.00
VENECIA 4	\$599.00
VENECIA 5	\$199.00
VENECIA 6	\$1,099.00
VENECIA 7	\$199.00
PRAGA 1	\$199.00
CAIRO 1	\$199.00
CAIRO 2	\$599.00
MANHATTAN 1	\$299.00
MANHATTAN 2	\$299.00

Model	Waterproof cover
MANHATTAN 3	\$499.00
MANHATTAN 4	\$249.00
MANHATTAN 5	\$299.00
INDIANA 1	\$199.00
INDIANA 2	\$299.00
INDIANA 3	\$399.00

Taxes not included



Protect your fire pit from rain, or when the fire pit is not in use.







Stonelum[®]

FIRE PITS

Catalogue