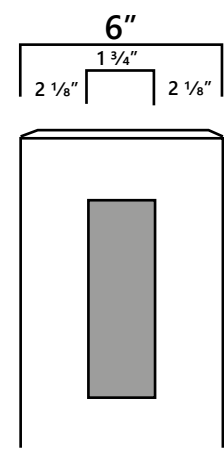
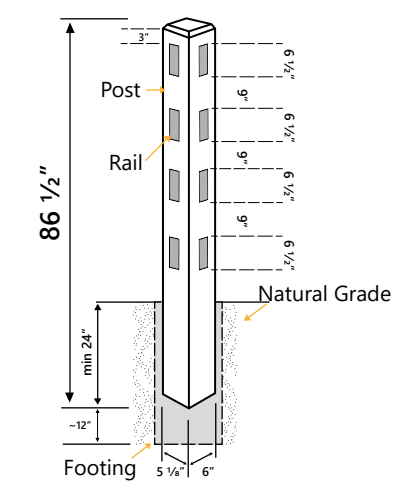
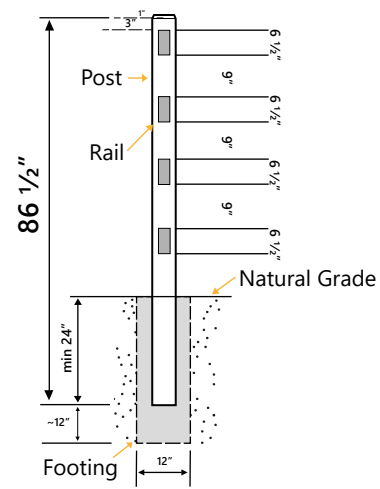
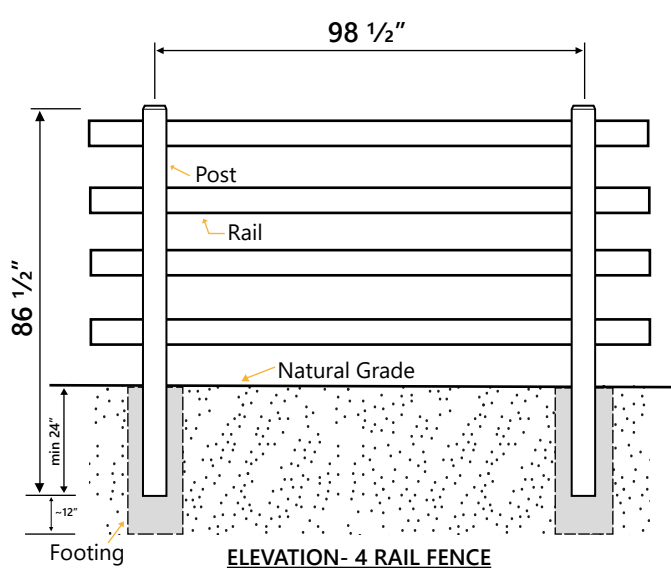
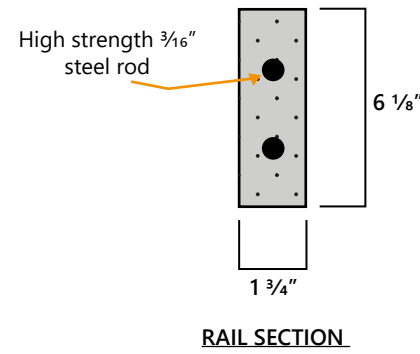
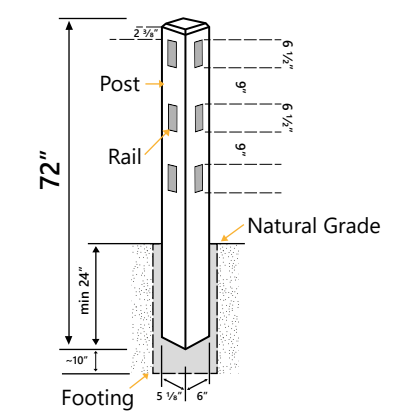
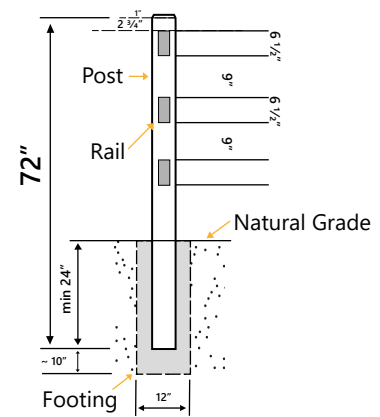
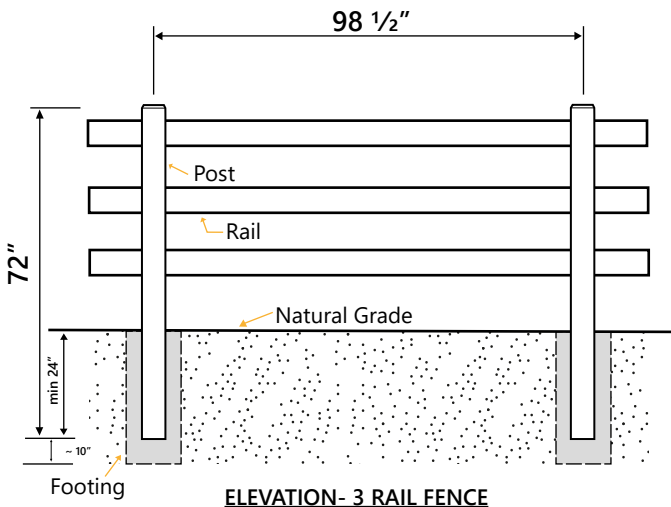
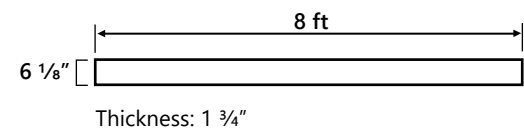


The concrete panel need to be at least 1 3/16" inside the post on each side.



<https://www.proceltek.com>

info@proceltek.com

PROCELTEK
 Prestressed Concrete Solutions

